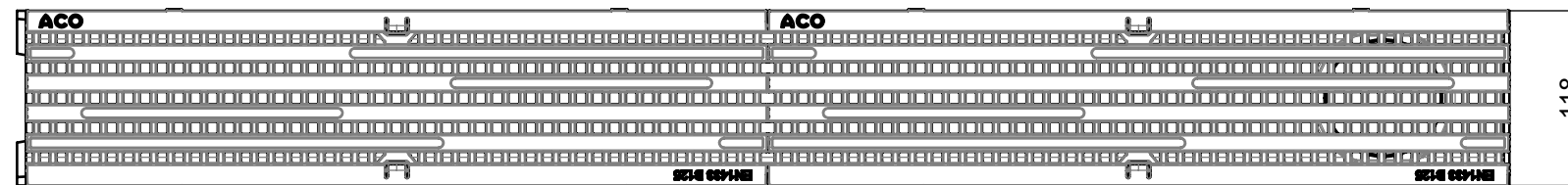
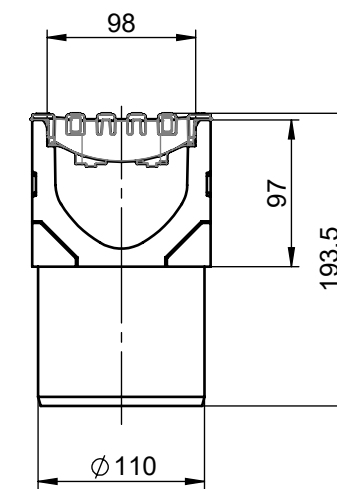
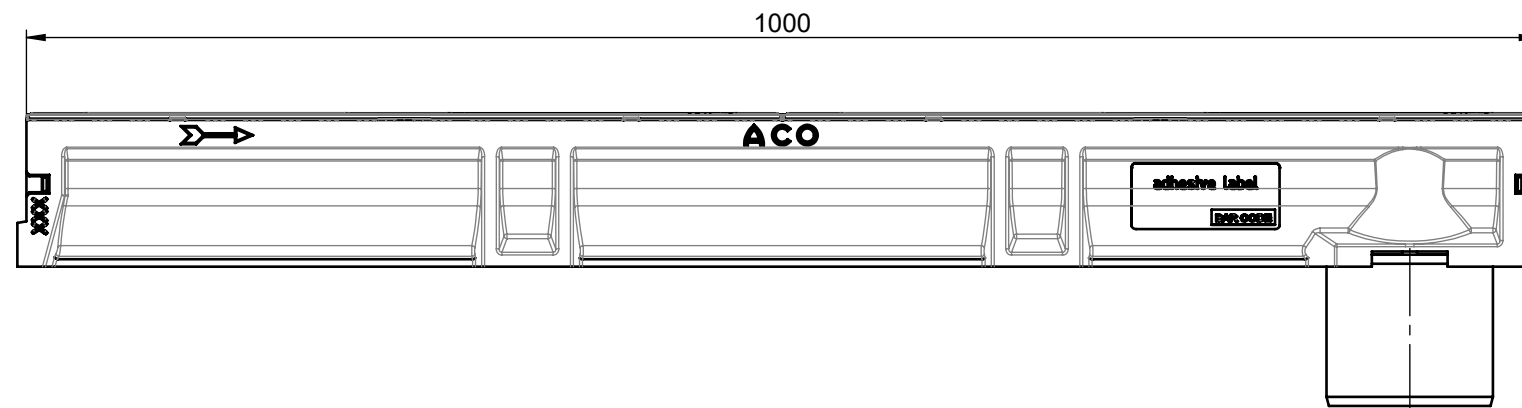
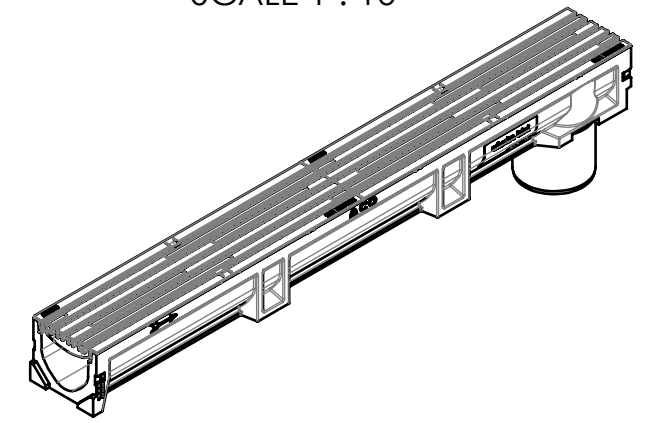

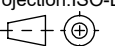


SCALE 1 : 10



material number: 3004023

 ACO GmbH Am Ahlmannkai 24782 Büdelsdorf www.aco.com	drawing-no.: 1253338	index: 002	documenttype: marketing drw.
	created by:	reviewed by:	projection: ISO-E 
title: ACO Self Platform Euroline 2.0 1m channel with drain DN110 with longitudinal bar grating plastic Euroline 2.0 1m Rinnenk. mit Auslass DN110 mit Längsstabrosten Kunststoff			serial-released
The reproduction, distribution and utilization of this document as well as the communication of its contents to others without express authorization is prohibited. Offenders will be held liable for the payment of damages. All rights reserved in the event of the grant of a patent, utility model or design. Observe copyright by ISO 16016			release date: 25.08.2023
			sheet: 1/1