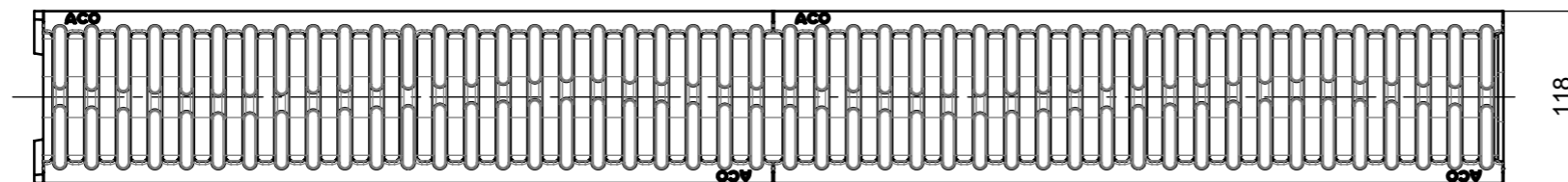
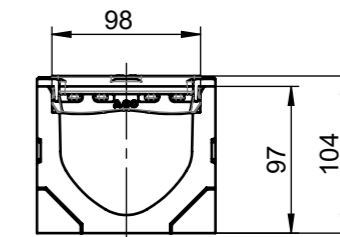
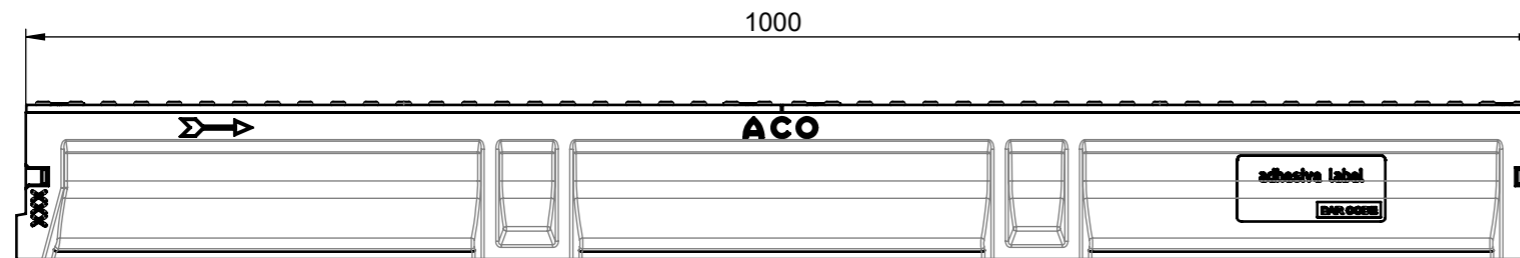
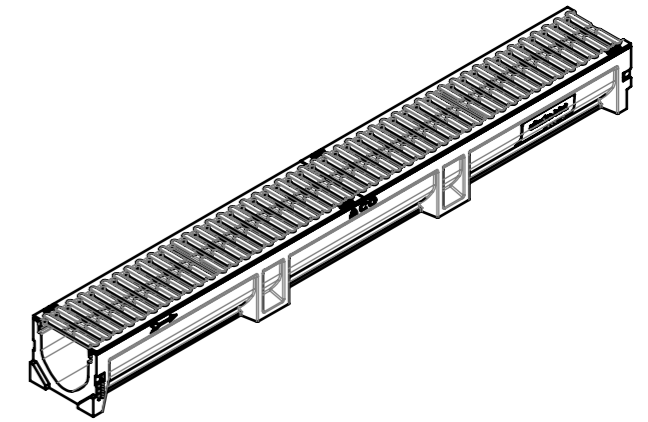

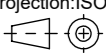


SCALE 1 : 10



material number: 3003697

 ACO GmbH Am Ahlmannkai 24782 Büdelsdorf www.aco.com	drawing-no.: 1258872	index: 003	documenttype: marketing drw.
	created by:	reviewed by:	projection: ISO-E  scale: 1:5
title: ACO Self Euroline-Self Platform Euroline 2.0 channel 1m with cast iron grating Euroline 2.0 Rinnenkörper 1m mit Gusseisenrosten			serial-released
The reproduction, distribution and utilization of this document as well as the communication of its contents to others without express authorization is prohibited. Offenders will be held liable for the payment of damages. All rights reserved in the event of the grant of a patent, utility model or design. Observe copyright by ISO 16016			release date: 25.08.2023
			sheet: 1/1