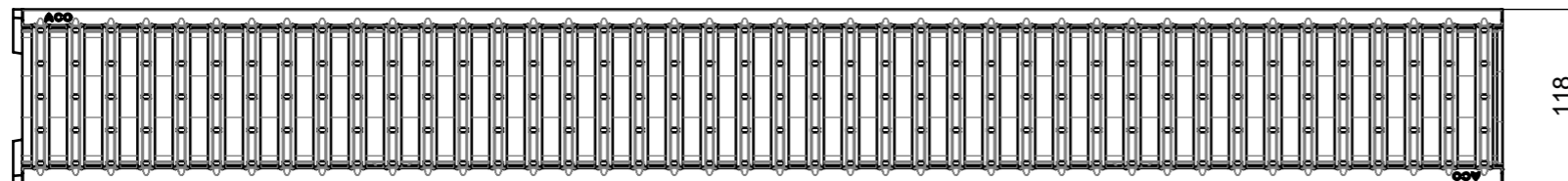
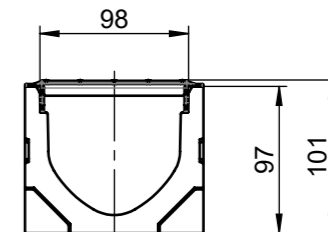
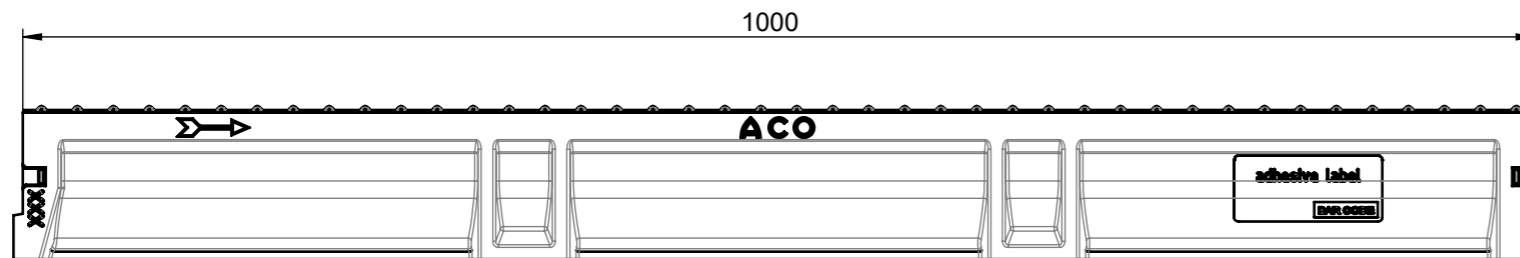
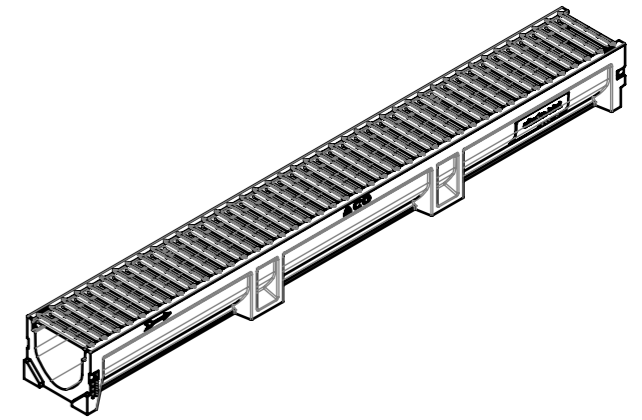

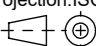


SCALE 1 : 10



material number: 3003693

 ACO GmbH Am Ahlmannkai 24782 Büdelsdorf www.aco.com	drawing-no.: 1259638	index: 004	documenttype: marketing drw.
	created by:	reviewed by:	projection:ISO-E  scale: 1:5
title: ACO Self Euroline-Self Platform Euroline 2.0 channel 1m with slotted steel grating Euroline 2.0 Rinnenkörper 1m mit Stahlstegrost			serial-released
The reproduction, distribution and utilization of this document as well as the communication of its contents to others without express authorization is prohibited. Offenders will be held liable for the payment of damages. All rights reserved in the event of the grant of a patent, utility model or design. Observe copyright by ISO 16016			release date: 25.08.2023
			sheet: 1/1