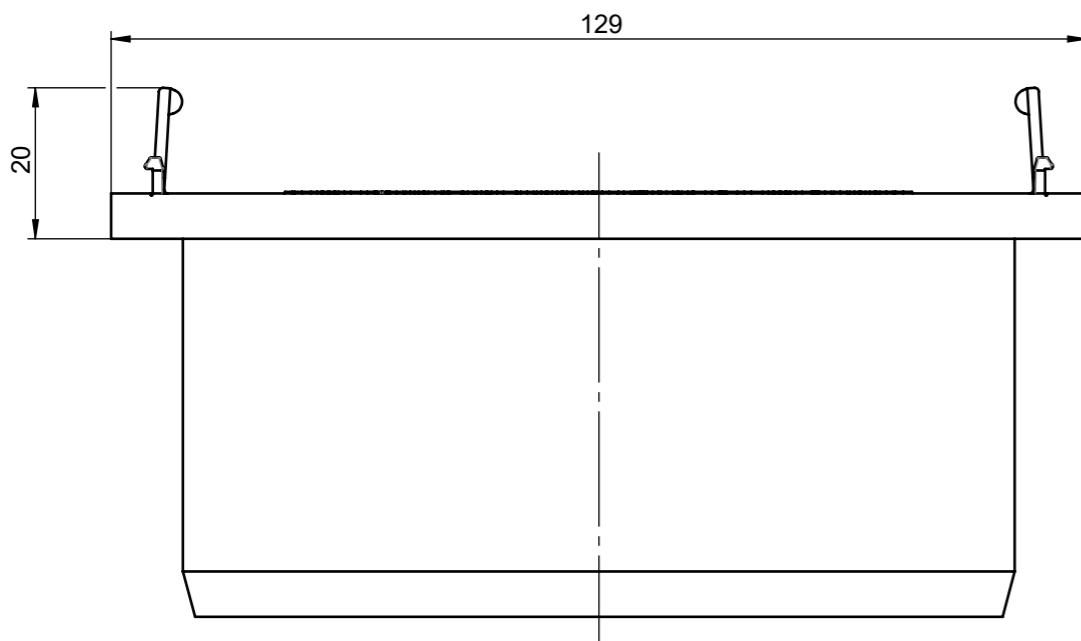
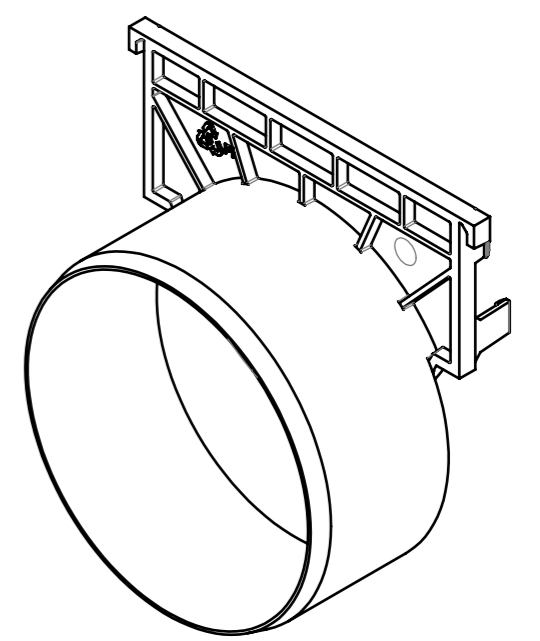
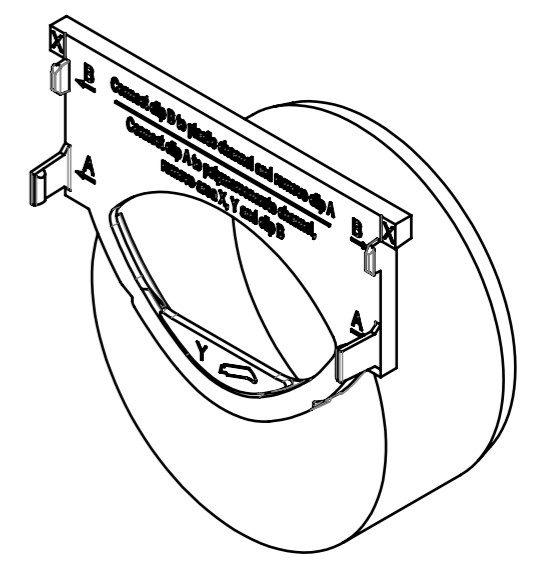
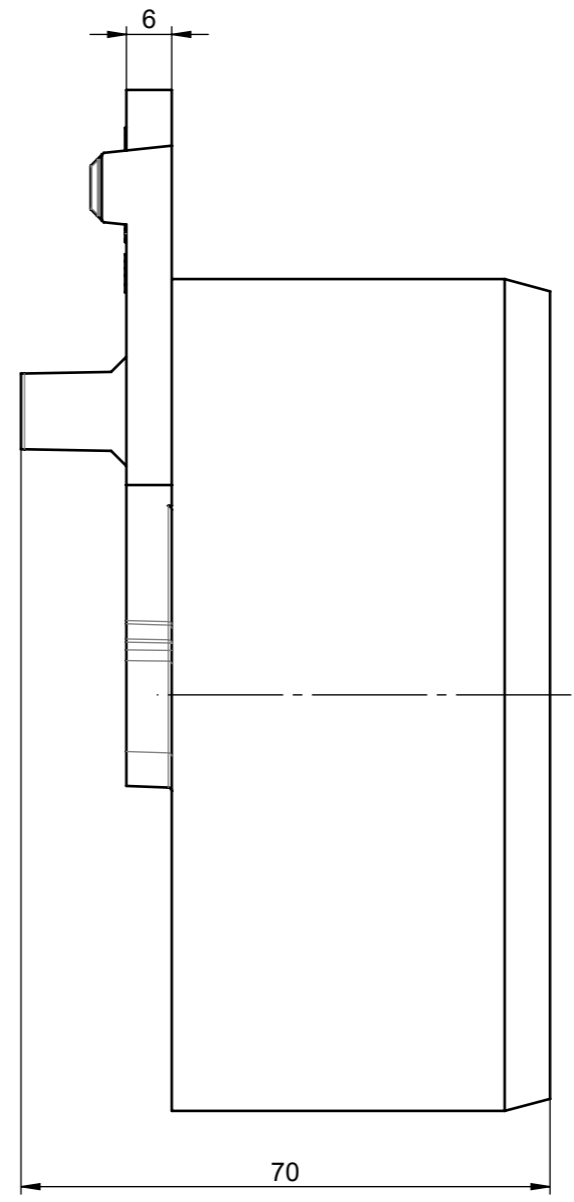
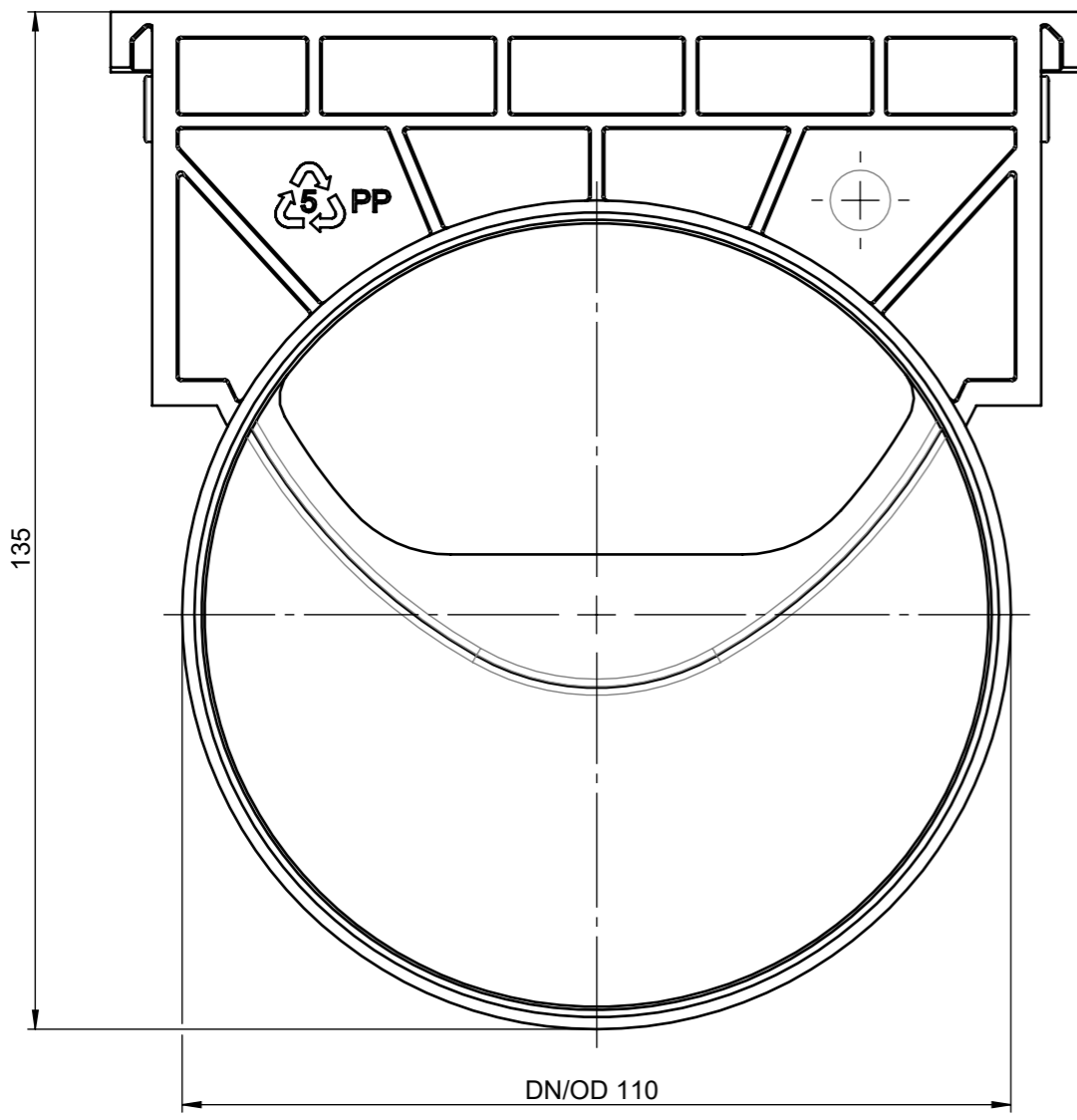


1 2 3 4 5 6 7 8

A
B
C
D
E
F



local article number: 319289

 ACO GmbH Am Ahlmannkai 24782 Büdelsdorf www.aco.com	material number 2009503	drawing-no.: 1393281	index: 001	projection: ISO-E 	format A3
	doc-type:				scale: 1:1

title:
ACO Self Plattform
 Universal endcap with pipe with locking
 Universelle Endkappe mit Rohr mit Verriegelung

serial-released

The reproduction, distribution and utilization of this document as well as the communication of its contents to others without express authorization is prohibited. Offenders will be held liable for the payment of damages. All rights reserved in the event of the grant of a patent, utility model or design. Observe copyright by ISO 16016	release date: 04.11.2024	sheet: 1/1
--	------------------------------------	----------------------

1 2 3 4 5 6 7 8